

ABOUT TIMES-7

We are a high-tech company specializing in the design and manufacture of RAIN (UHF) RFID antennas. Founded in 2006, Times-7 has developed the largest portfolio of fixed RAIN RFID reader antennas. Based in Lower Hutt, New Zealand we export all over the world through an authorized network.

Times-7 antennas are famous for their quality and performance.

In addition to our world-class products and in-depth expertise, our customers appreciate Times-7's customer service and technical support.

We are responsive in supporting a large global customer base and ensuring the success of our customer's implementations.

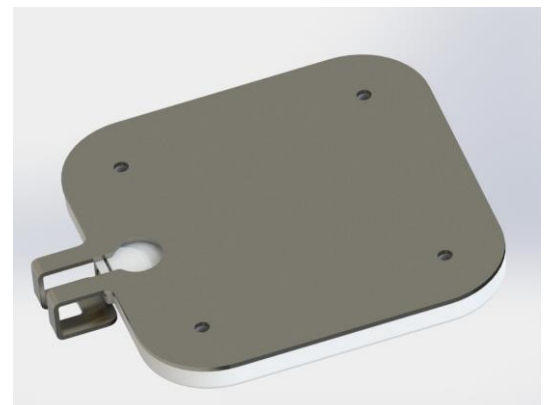
Times-7 Research Ltd
 10 Te Puni Street
 Lower Hutt 5012
 New Zealand

NEW ZEALAND
 P: +64 4 974 6566

USA/CANADA
 P: +1 408 769 5025

E: sales@times-7.com

www.times-7.com



A5010 Backplate

A5020 Backplate

The A5020 family of antennas and the A5010 antenna are all equipped with SMA connectors due to their slim design. We have designed the Connector Protection Backplate to help protect the antenna connector from hits, especially when mounted on a bracket in free space.

To install the backplate you simply attach it to the rear side of the antenna. The backplate bends over the connector, held on via the mounting holes.

The backplate can be used with right angled and straight cables.

Ordering Information

Ordering Information (please quote product code & part no.)

Product Code	Compatibility	Part No.
A5010 Backplate	A5010 CP	72039
A5020 Backplate	A5020 LX / CP / MR / NF	72394

Mounting Information

The connector protection backplate can be flush mounted or VESA mounted.

How to flush mount:

First, you feed the cable through the slot of the backplate, then attach the cable to the antenna. Align the antenna holes with the holes of the connector backplate, making it ready for flush mounting.

How to VESA mount:

To VESA mount on an articulated bracket, you will need to align the antenna holes and feed it through the backplate using bolts to hold it together.

- Attach the bracket using washers and nuts.
- The connector protection backplate also allows for a cable with elbow connectors to be fed through.
- The slots on the backplate allow for cables to be attached so that the accessory cable can be routed behind the antenna or sideways.
- The mounting holes of the A5020 support VESA spaced mounting brackets. The backplate is equipped with four mounting holes.

Important Information:

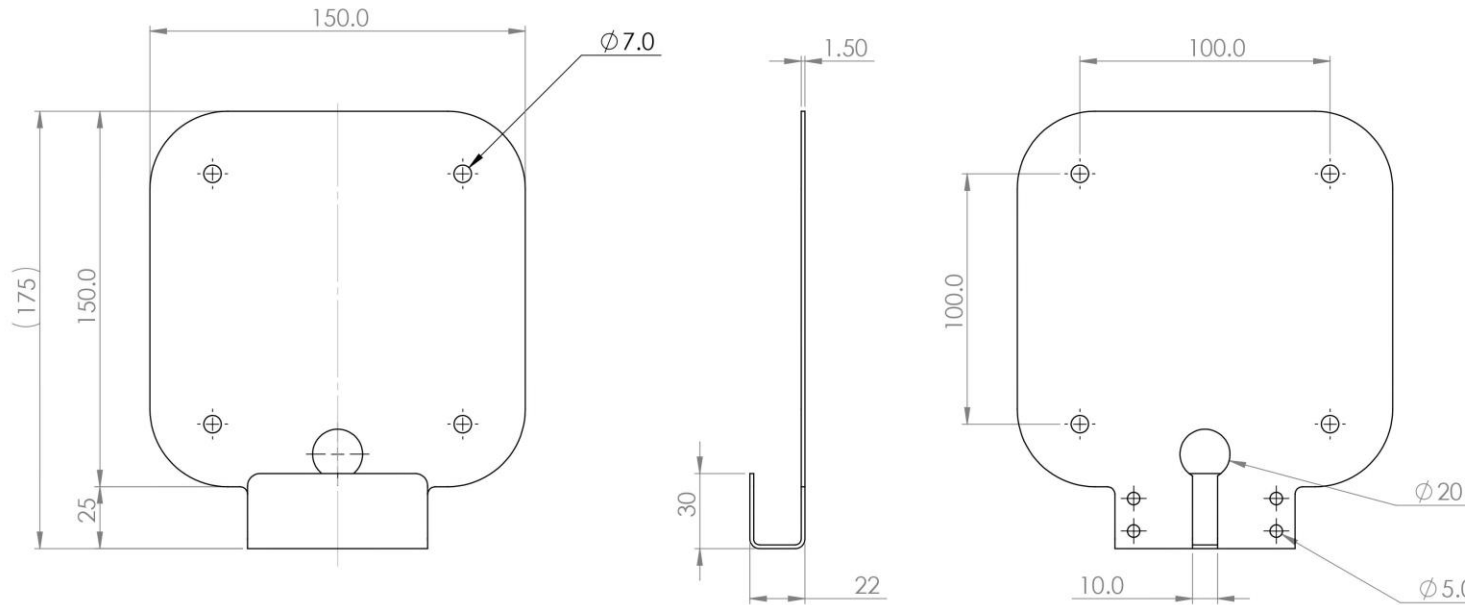
- The Cable cannot be removed or attached to the antenna while the backplate is attached. For this reason, when mounting you will need to feed the cable through the slot in the connector protection backplate and connect the cable to the antenna.
- The backplate can then be moved along the cable. The mounting holes for both the protection backplate and the antenna can then be aligned, and the bolts or screws fed through for mounting.
- Do note that the backplate can be attached to the A5020 and A5010 using the antennas mounting holes. Solutions looking to attach the antenna flush to a wall without using the mounting holes may have trouble doing so.



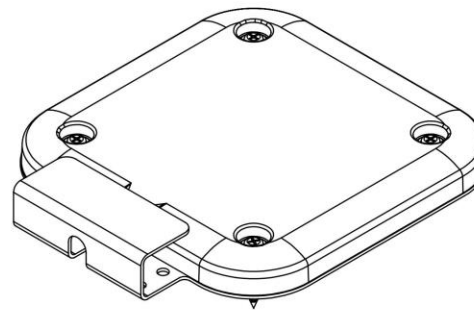
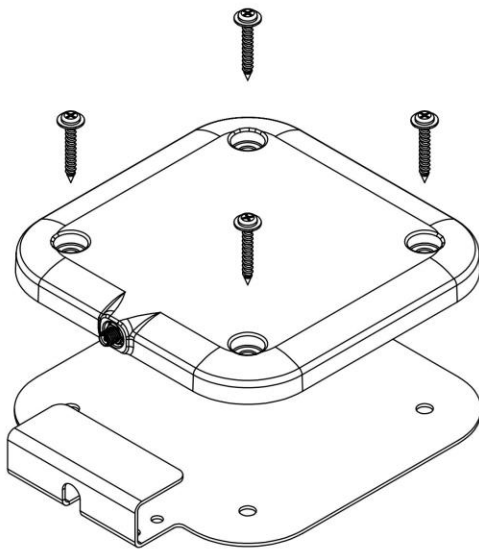
The technical data contained in this publication is not a guarantee for which Times-7 Research Ltd assumes legal accountability. It is indicative of typical performance, and if required should be relied on for specific applications only after due verification.

All technical data, specifications and other information contained herein are deemed to be the proprietary intellectual property of Times-7 Research Ltd. No reproduction, copy or use thereof may be made without the express written consent of Times-7 Research Ltd.

Times-7, and the stylized T-7 Antennas logo are trademarks or registered trademarks of Times-7 Research Ltd. All other trademarks are the property of their respective owners.
© 2022 Times-7 Research Ltd. All rights reserved. Specifications are subject to change without notice.
Datasheet V2



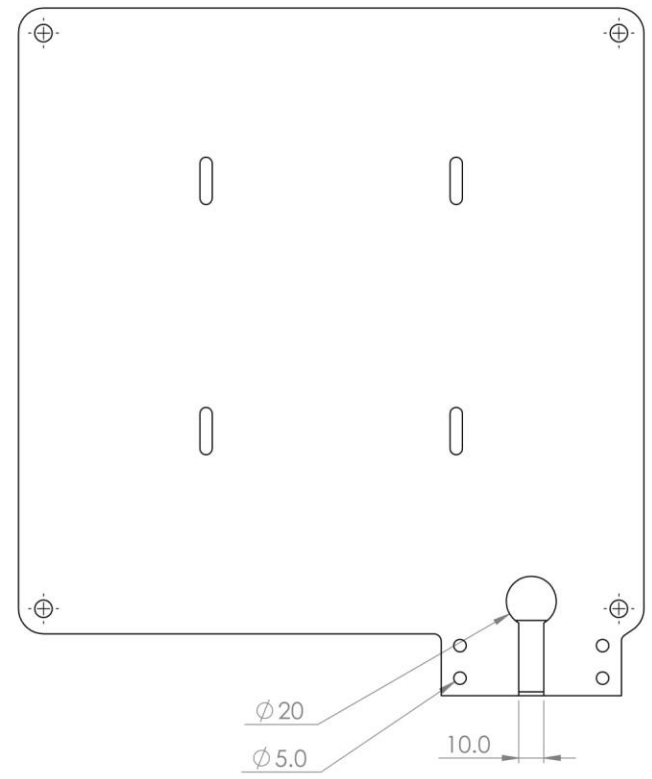
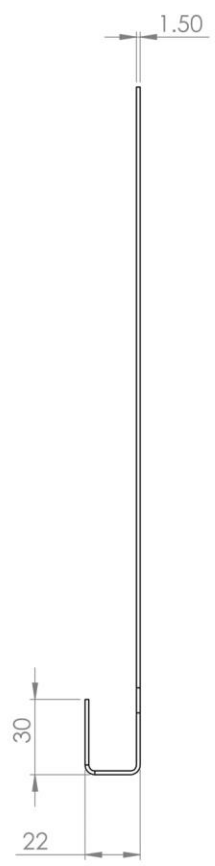
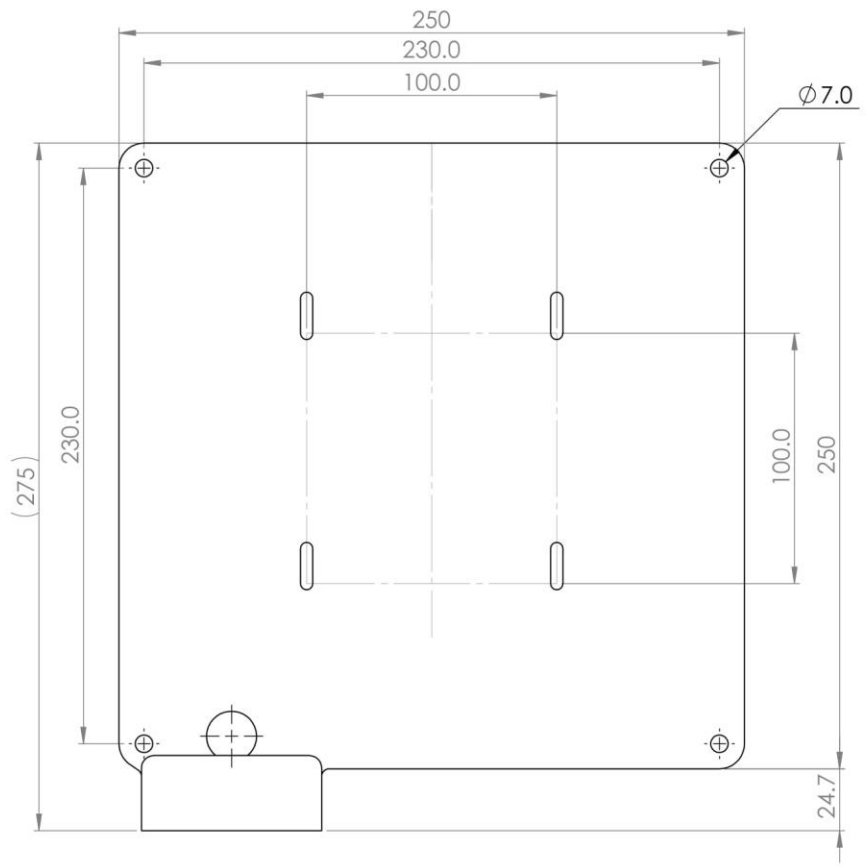
Shown fitted with
A5020
Antenna



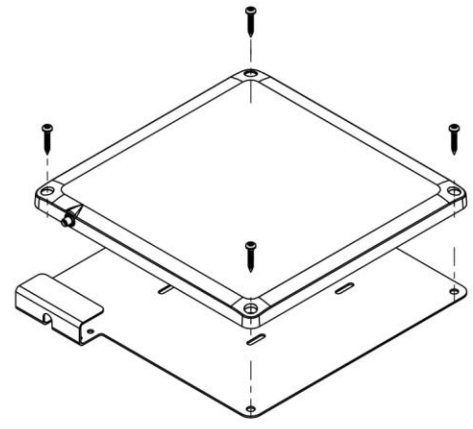
Notes

1. Protection plate shown fitted to A5020 Antenna

THE INFORMATION CONTAINED IN THIS DRAWING IS THE SOLE PROPERTY OF TIMES-7 LTD. ANY REPRODUCTION IN PART OR AS A WHOLE WITHOUT THE WRITTEN PERMISSION OF TIMES-7 IS PROHIBITED.		DIMENSIONS ARE IN mm UNLESS OTHERWISE SPECIFIED TOLERANCES: NO DECIMAL PLACES ± 1 ONE PLACE DECIMAL ± 0.5				DESCRIPTION		
DRAWN RH		SIGNATURE <i>Rolape</i>		DATE 16-2-21		A5020 Connector Protection Backplate		
UPDATED C Wilson		SIGNATURE <i>C Wilson</i>		DATE 4/10/21		SIZE	PART NO.	REV
APPROVED P Roling		SIGNATURE <i>P Roling</i>		DATE 4/10/21		A3	72394-FG	B
DO NOT SCALE DRAWING							SHEET 1 OF 1	



Shown fitted with A5010 Antenna



- Notes
1. Protection plate shown fitted to A5010 Antenna
 2. Flush and Stud mount types of Antenna

THE INFORMATION CONTAINED IN THIS DRAWING IS THE SOLE PROPERTY OF TIMES-7 LTD. ANY REPRODUCTION IN PART OR AS A WHOLE WITHOUT THE WRITTEN PERMISSION OF TIMES-7 IS PROHIBITED.		DIMENSIONS ARE IN mm UNLESS OTHERWISE SPECIFIED TOLERANCES: NO DECIMAL PLACES ± 1 ONE PLACE DECIMAL ± 0.5				DESCRIPTION A5010 Connector Protection Backplate		
DRAWN	RH	SIGNATURE	<i>P. Roling</i>	DATE	16-2-21	SIZE	PART NO.	
UPDATED	C Wilson	SIGNATURE	<i>C. Wilson</i>	DATE	4/10/21	A3	72400-FG	
APPROVED	P Roling	SIGNATURE	<i>P. Roling</i>	DATE	4/10/21	DO NOT SCALE DRAWING		
							REV	B
							SHEET 1 OF 1	